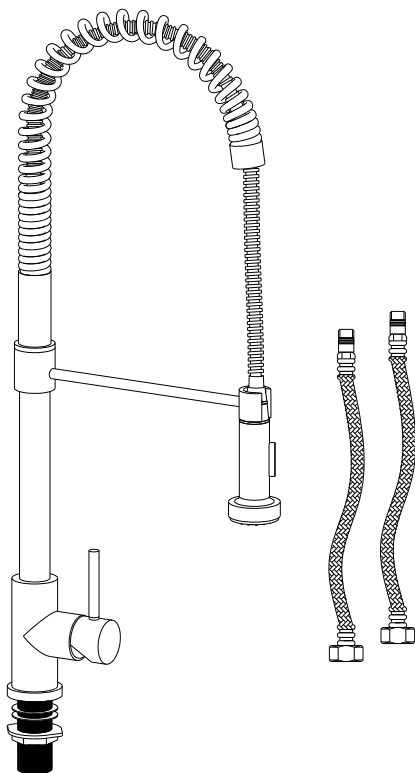




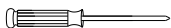
Installation Instruction

Single Handle Kitchen Faucet

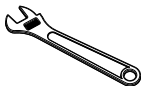


Model No.: SB-7020

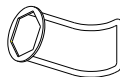
Tools You Will Need



Phillips screwdriver



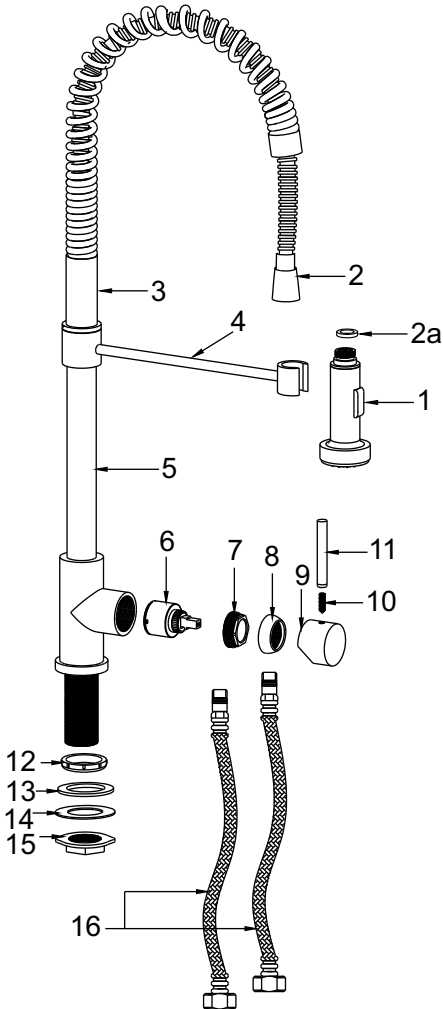
Adjustable wrench



Spanner

Replacement Parts

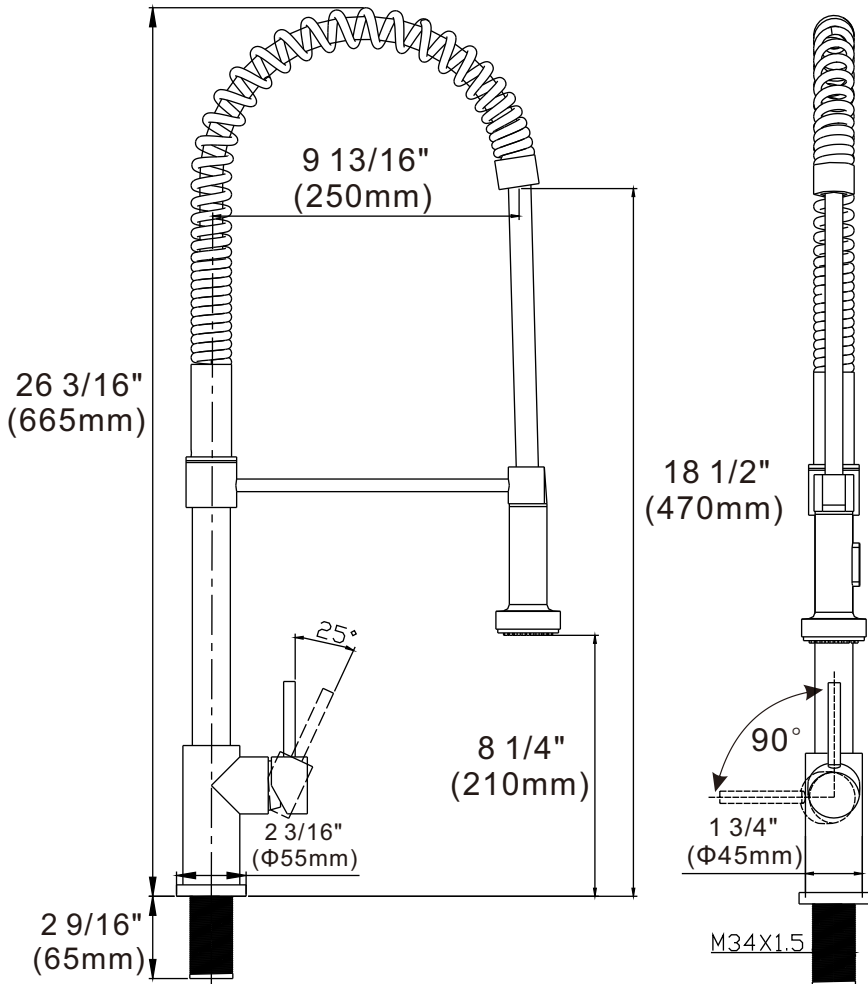
Keep this manual for ordering replacement parts.



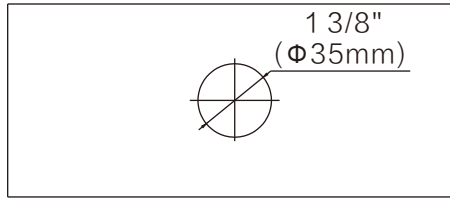
1. Sprayer Head
2. Hose
- 2a. Hose Washer
3. Spring Neck
4. Sprayer Head Holder
5. Faucet Body
6. Cartridge
7. Cartridge Nut
8. Cartridge Cover
9. Handle
10. Handle Set Screw
11. Control Handle Lever
12. Bottom Ring
13. Mounting Rubber
14. Mounting Steel
15. Mounting Nut
16. Hot & Cold Waterlines

SB-7020 Bradfield
Solid Stainless Steel Faucet

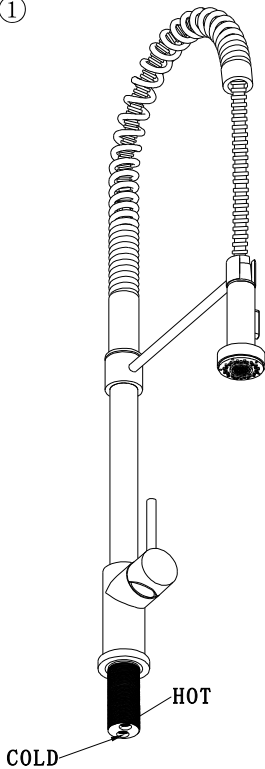
Product Dimension Drawing



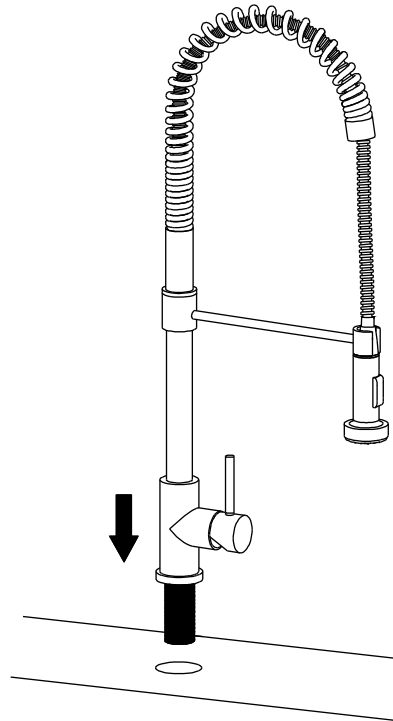
Faucet Installation Procedures



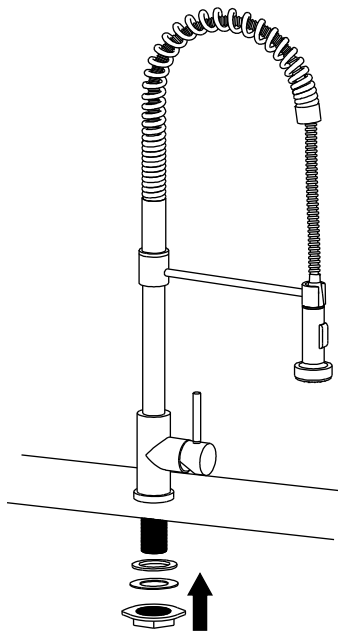
Step ①



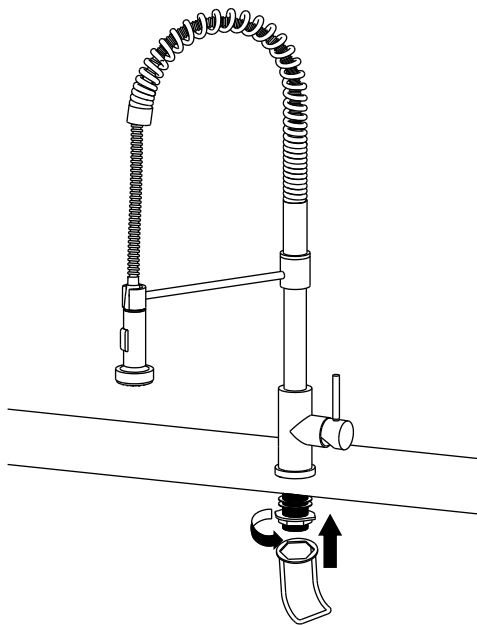
Step ②



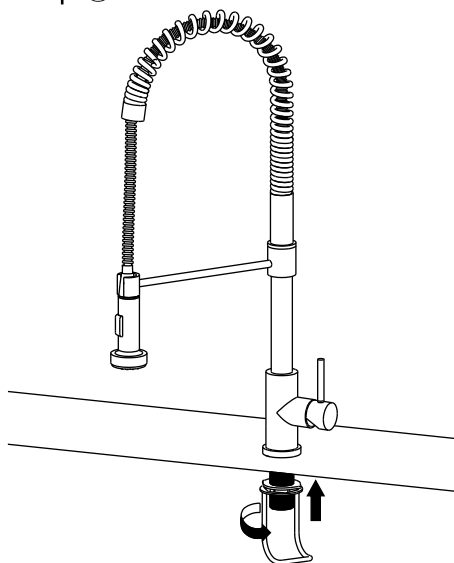
Step ③



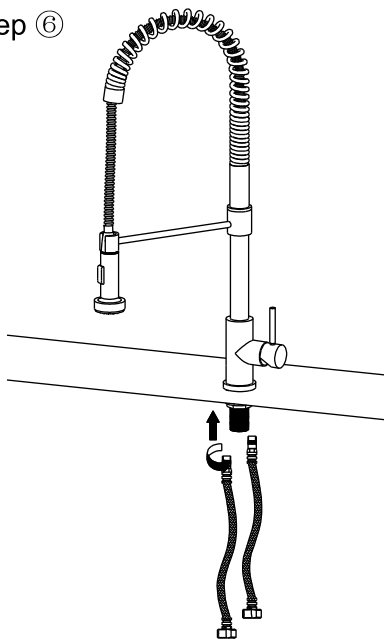
Step ④



Step ⑤



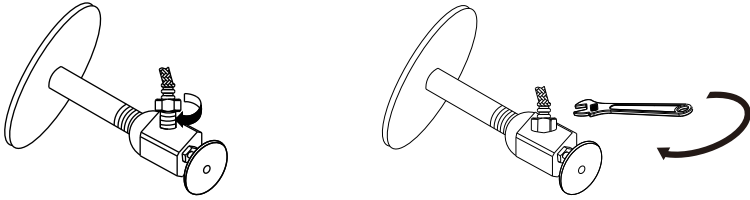
Step ⑥



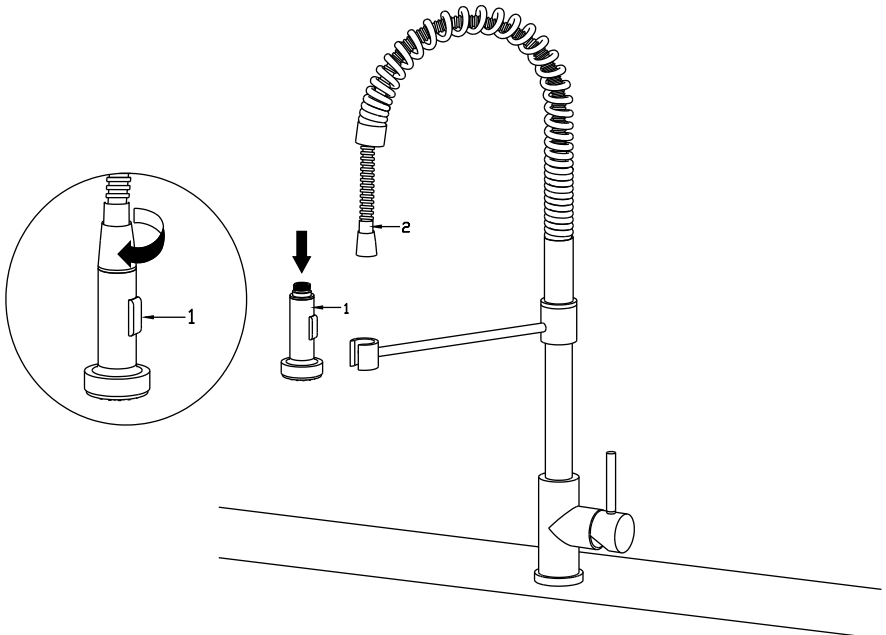
Step ⑦

Caution!!

Flush construction debris out of water valves and pipes BEFORE connecting water lines.



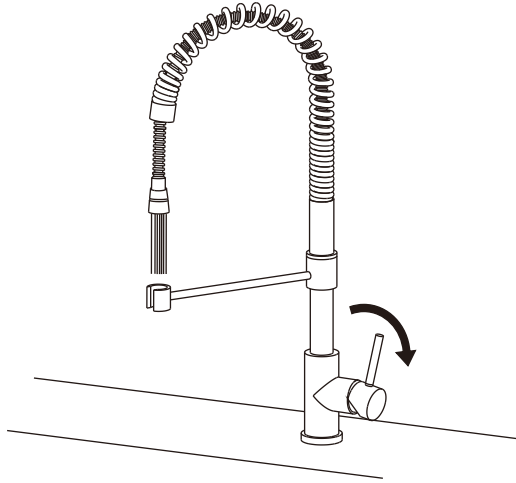
Step ⑧



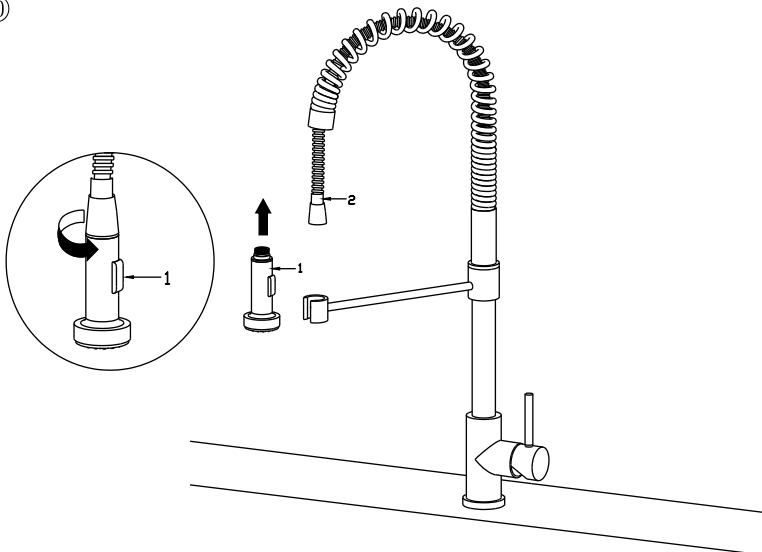
Step ⑨

Caution!!

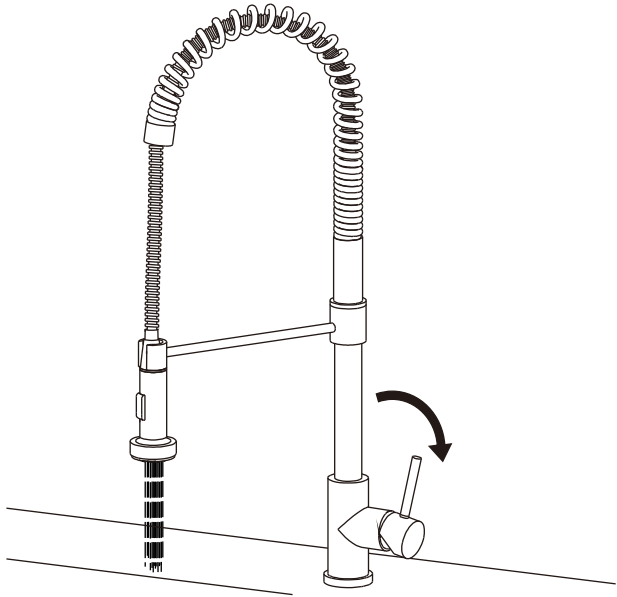
Do not lose hose washer!
Remove head and final flush cartridge,
faucet body and hose.



Step ⑩



Step ⑪



Step ⑫

