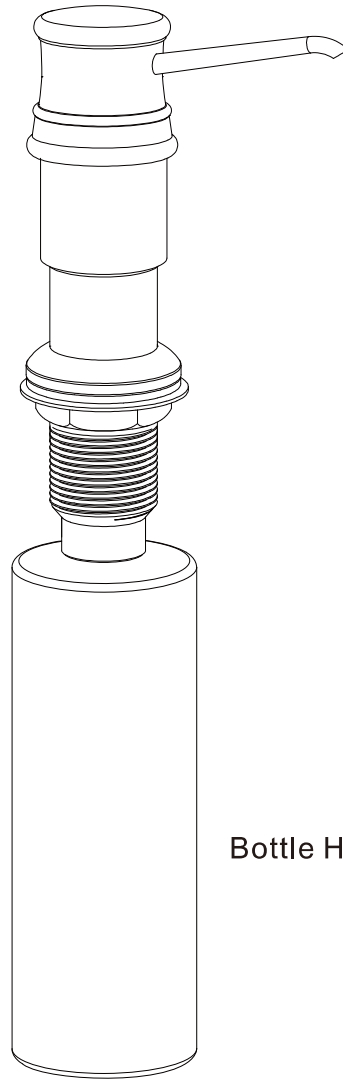




Installation Instruction

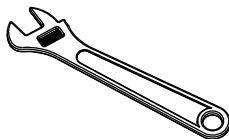
Soap Dispenser



Bottle Holds 3/4 Cup of Soap

Model No.: SD-1002

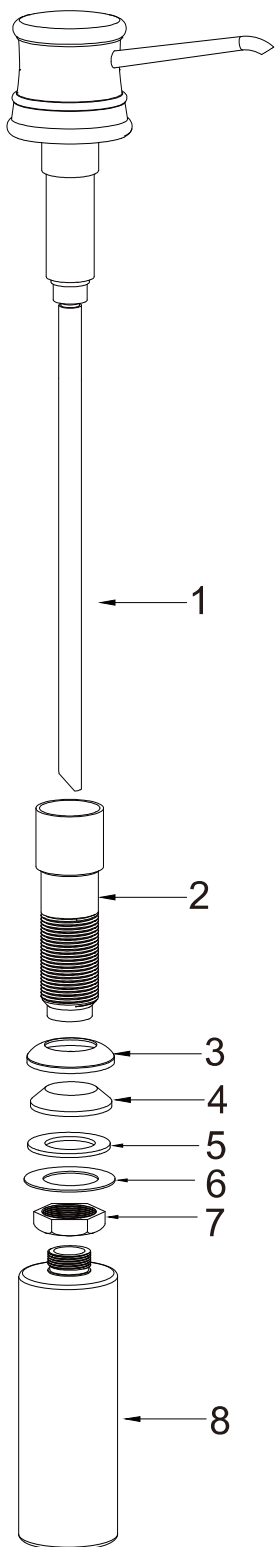
Tools You Will Need



Adjustable wrench

Replacement Parts

Keep this manual for ordering replacement parts.

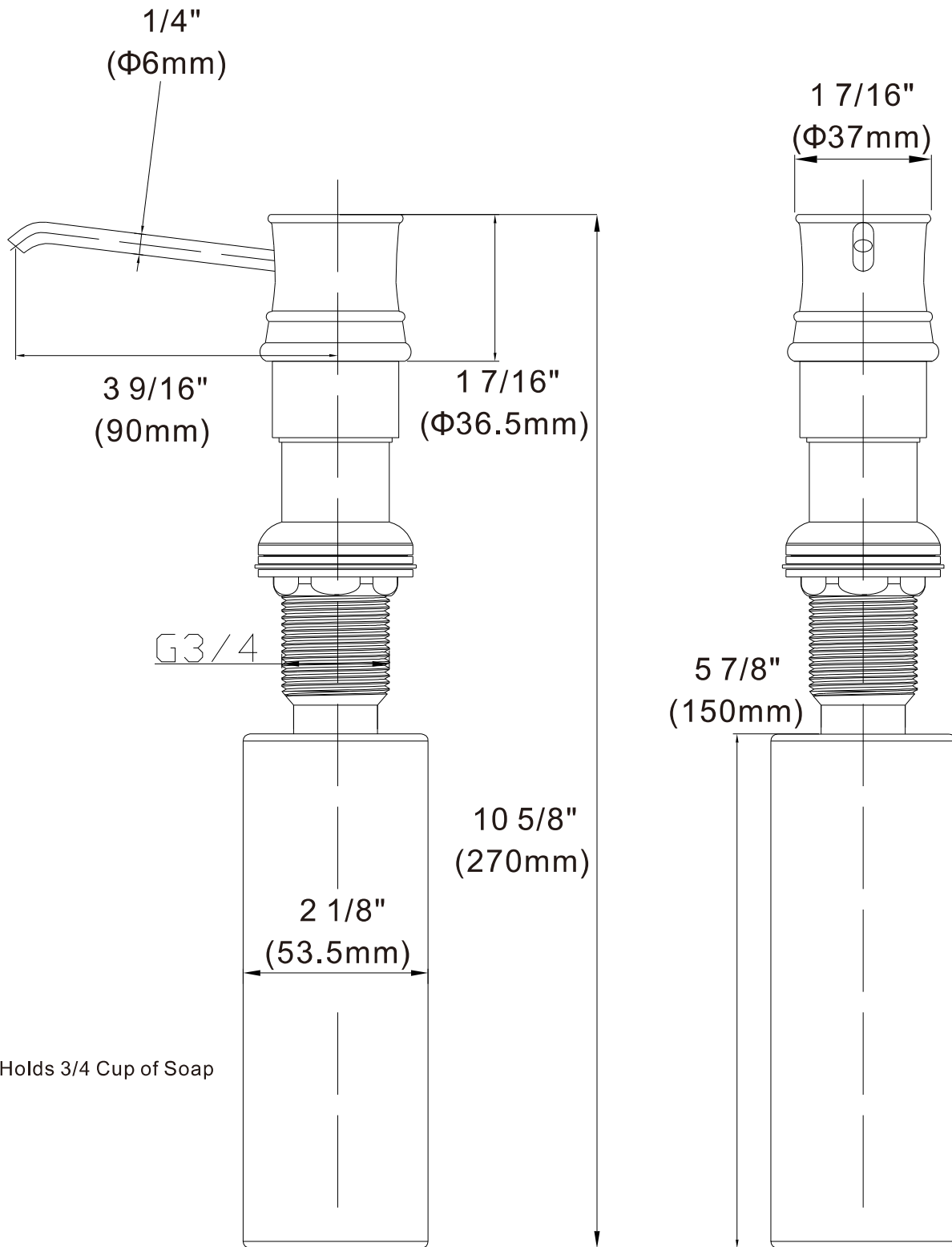


1. Dispenser Pump
2. Stainless Holder
3. Stainless Base
4. Base Rubber
5. Rubber Washer
6. Stainless Washer
7. Mounting Nut
8. Plastic Soap Bottle

Bottle Holds 3/4 Cup of Soap

SD-1002 Soap Dispenser

Product Dimension Drawing

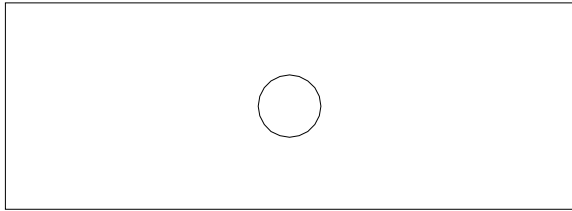
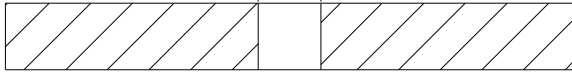


Bottle Holds $3/4$ Cup of Soap

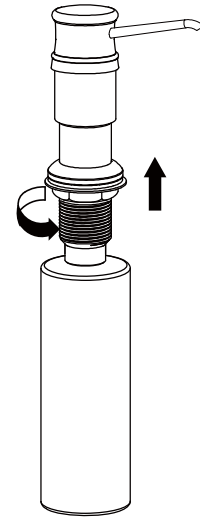
Faucet Installation Procedures

step ①

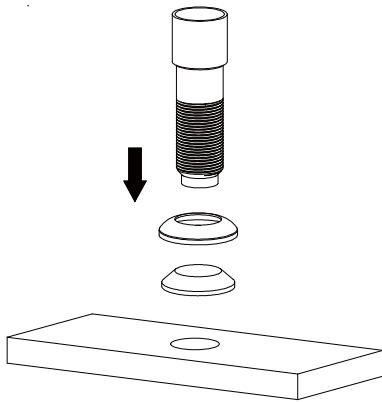
1 1/8"
(Φ28mm)



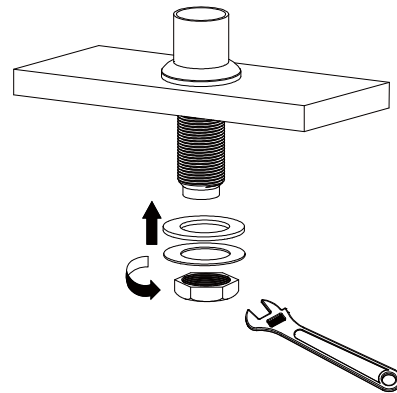
step ②



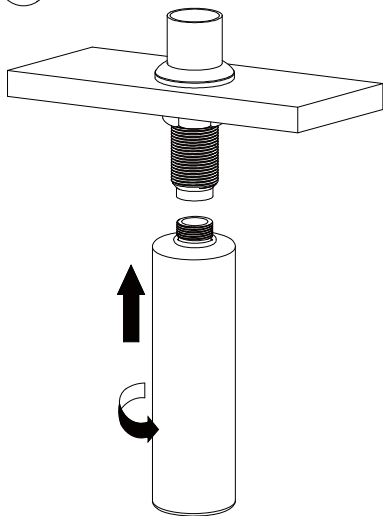
step ③



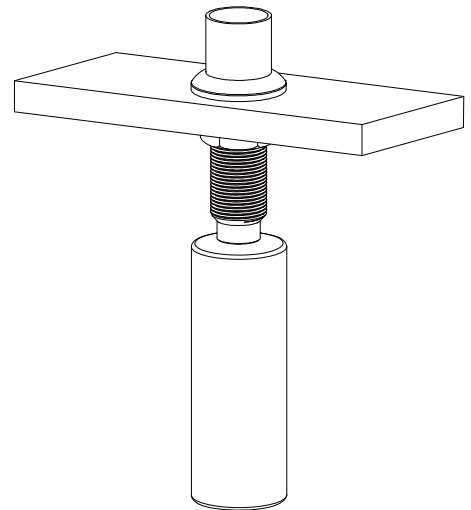
step ④



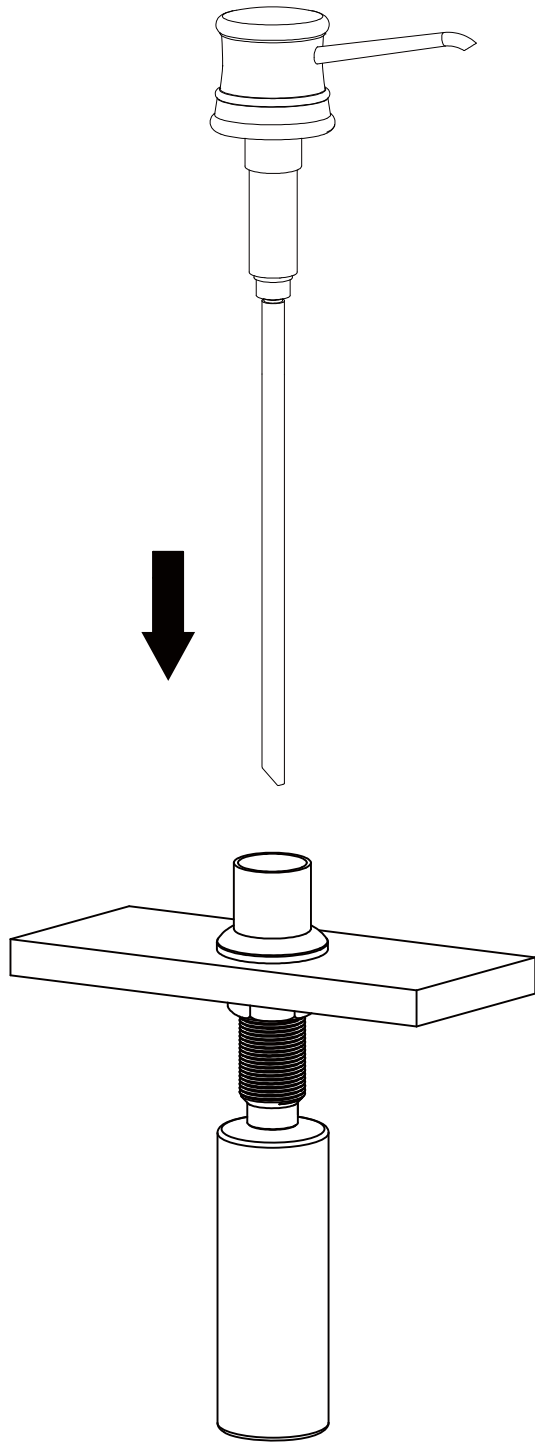
step ⑤



step ⑥



step ⑦



step ⑧

