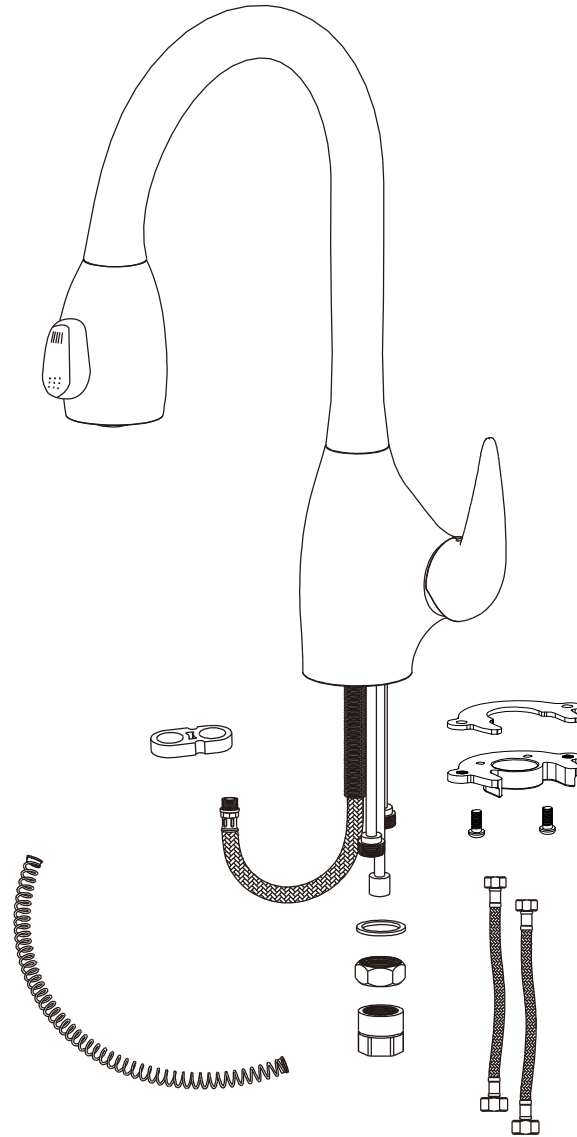




# Installation Instruction

Single Handle Pull-down Kitchen Faucet

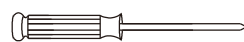


Model No.: Sb-6050 and SB-6052

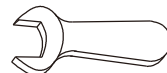
## Tools You Will Need



Adjustable wrench



Phillips screwdriver



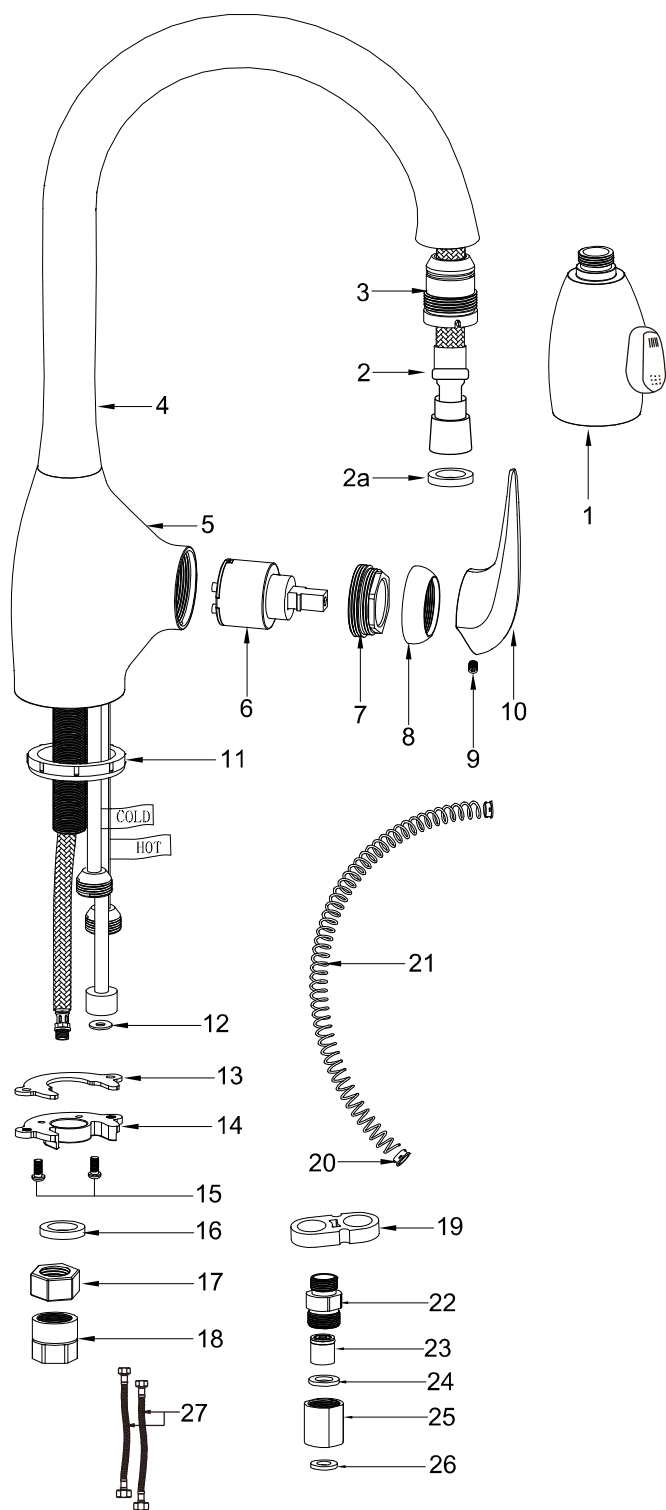
Hose wrench  
(supplied)



Spanner for body  
(supplied)

# Replacement Parts

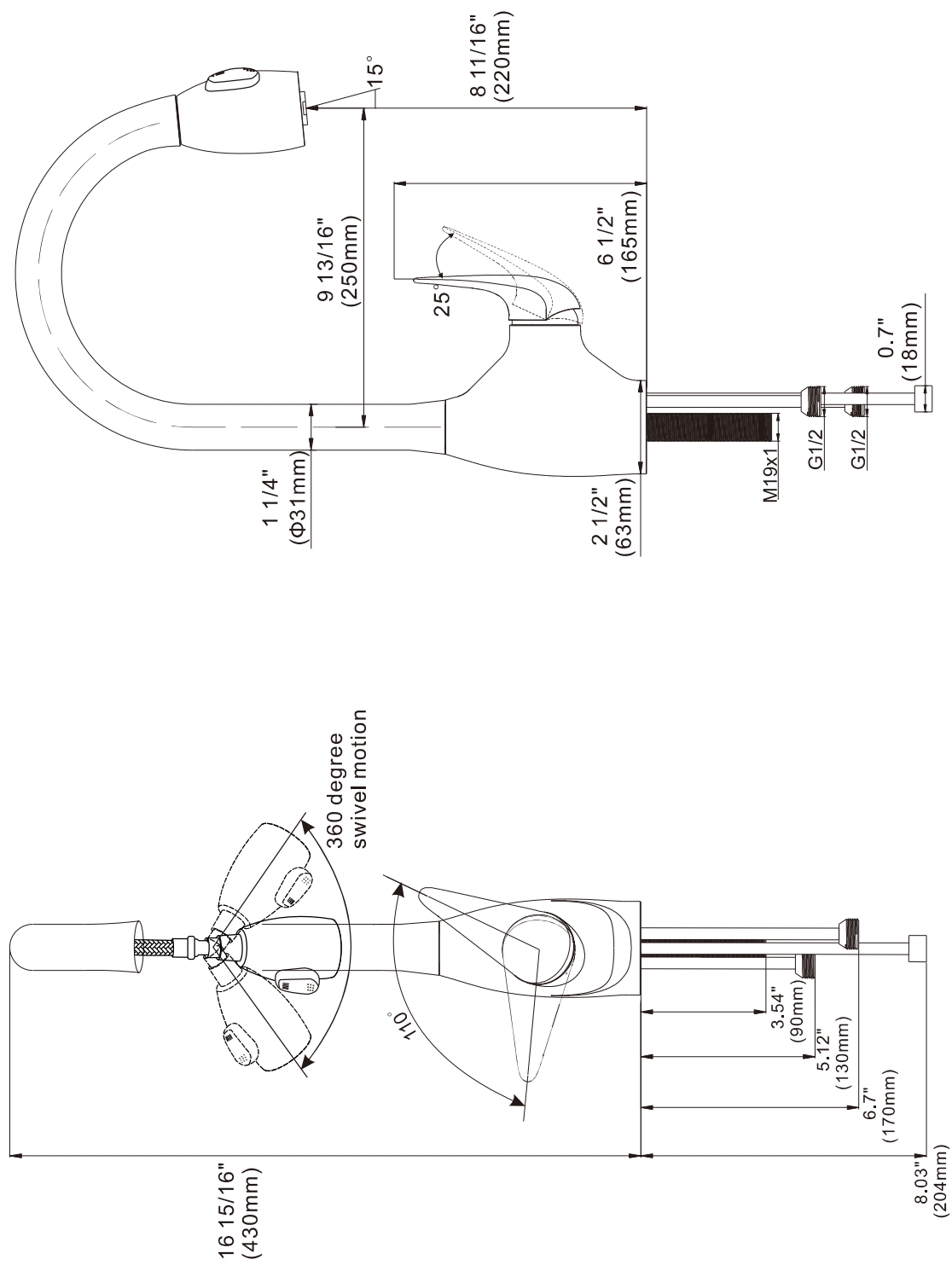
Keep this manual for ordering replacement parts.



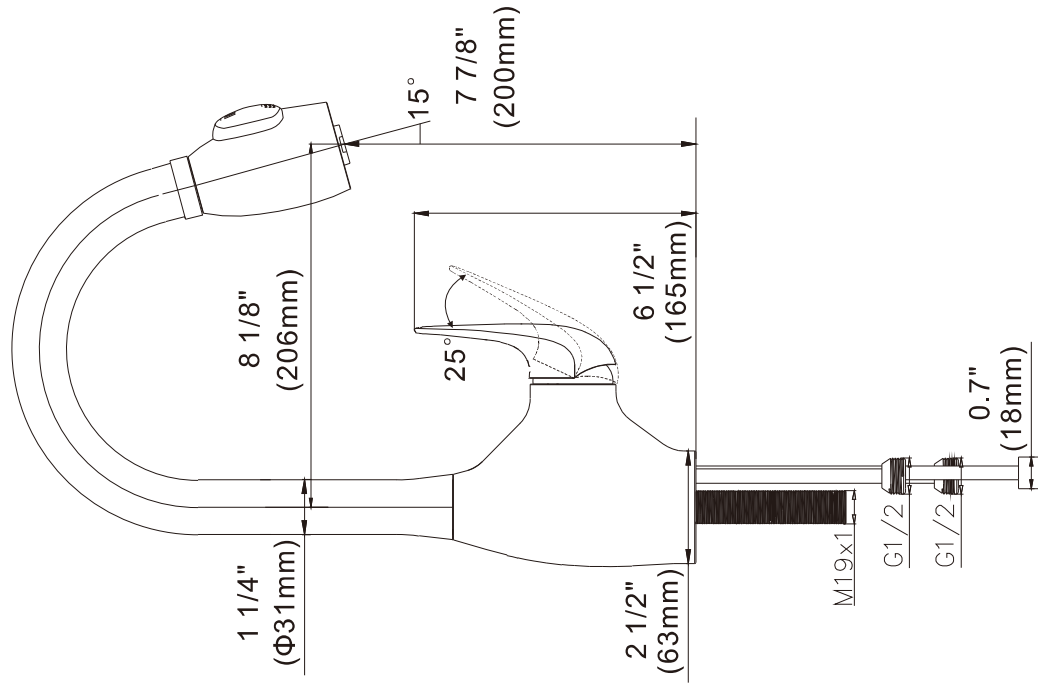
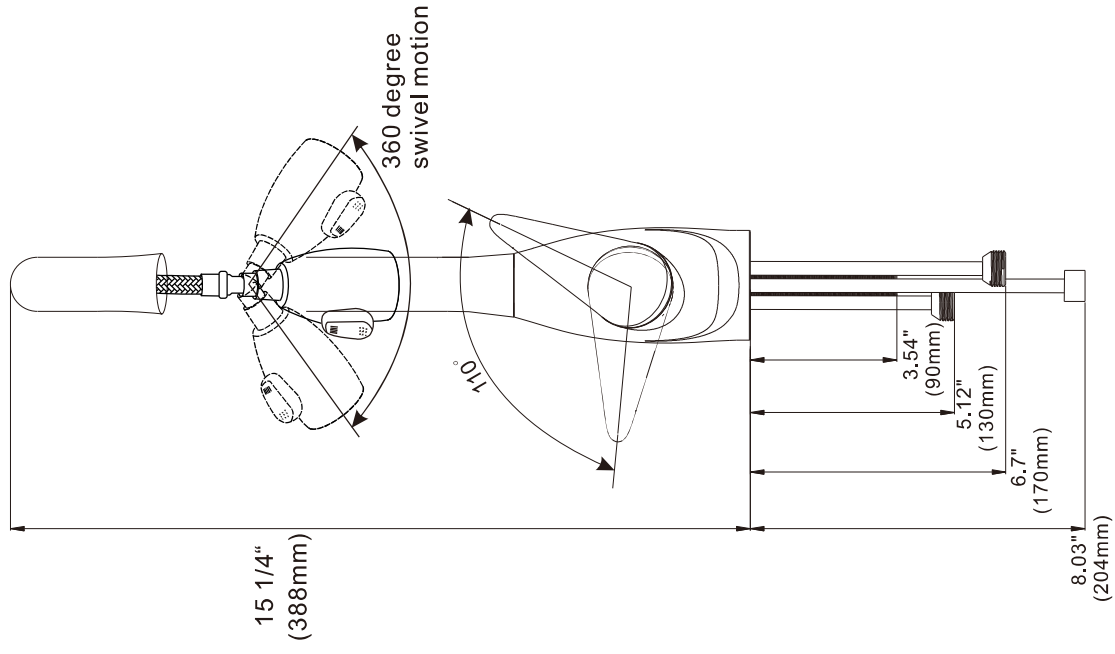
1. Sprayer head
2. Swivel Hose
- 2a. Hose Washer
3. Neck Insert
4. Neck
5. Faucet Body
6. Cartridge
7. Cartridge Nut
8. Cartridge Cover
9. Handle Set Screw
10. Control Handle
11. Bottom Rubber
12. Hose Tube Washer
13. Mounting Rubber
14. Mounting Bracket
15. Set Screws
16. Mounting Washer
17. Mounting Nut
18. Hose Protector
19. Spring Holder
20. Friction Ring
21. Spring
22. Sleeve Nut
23. Check Valve
24. Flat Gasket
25. Sleeve
26. Flat Gasket
27. Hot & Cold Waterlines

SB-6050 Richmond and SB-6052  
Solid Stainless Steel Pull-out Faucet

# Product Dimension Drawing of SB-6050

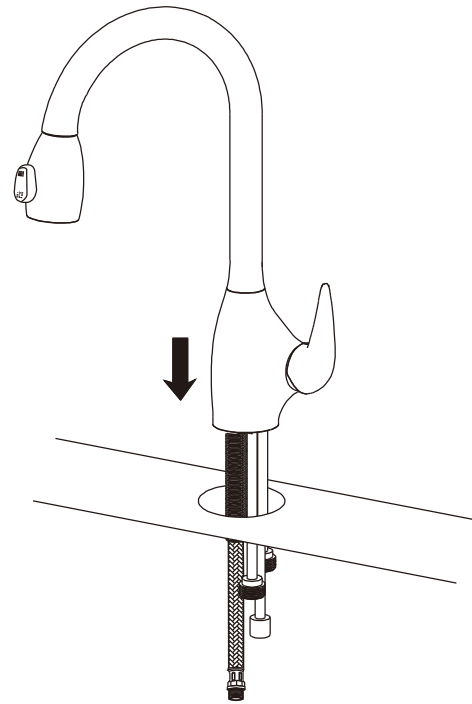
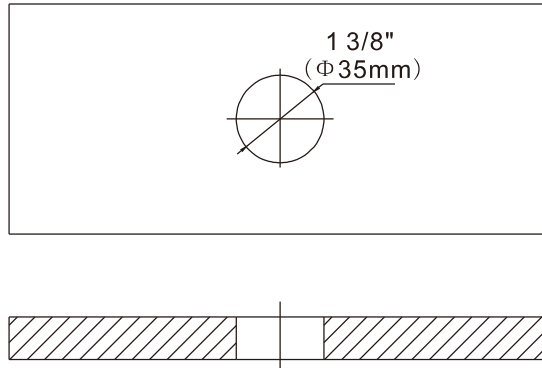


# Product Dimension Drawing of SB-6052

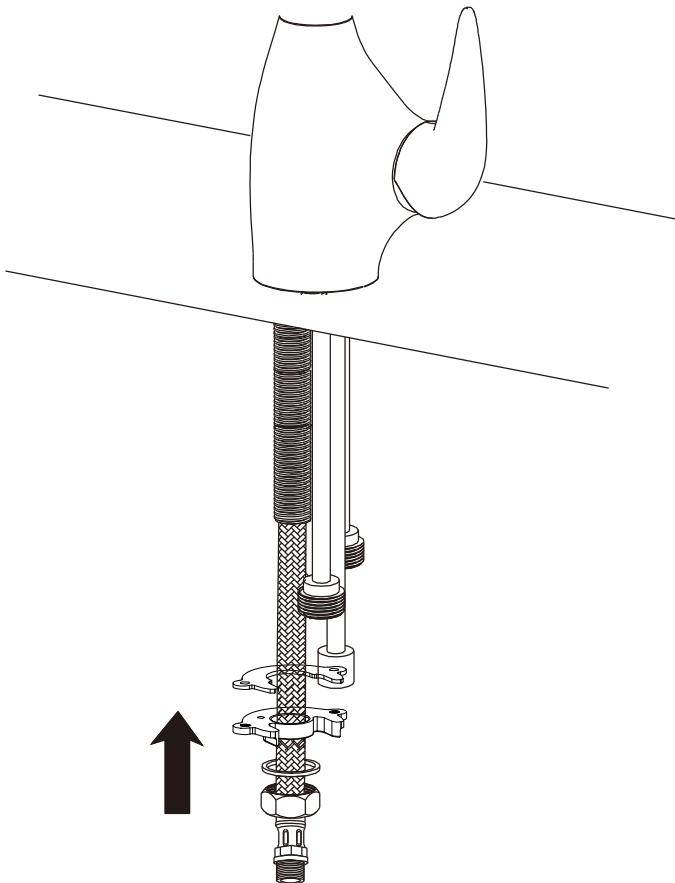


# Faucet Installation Procedures

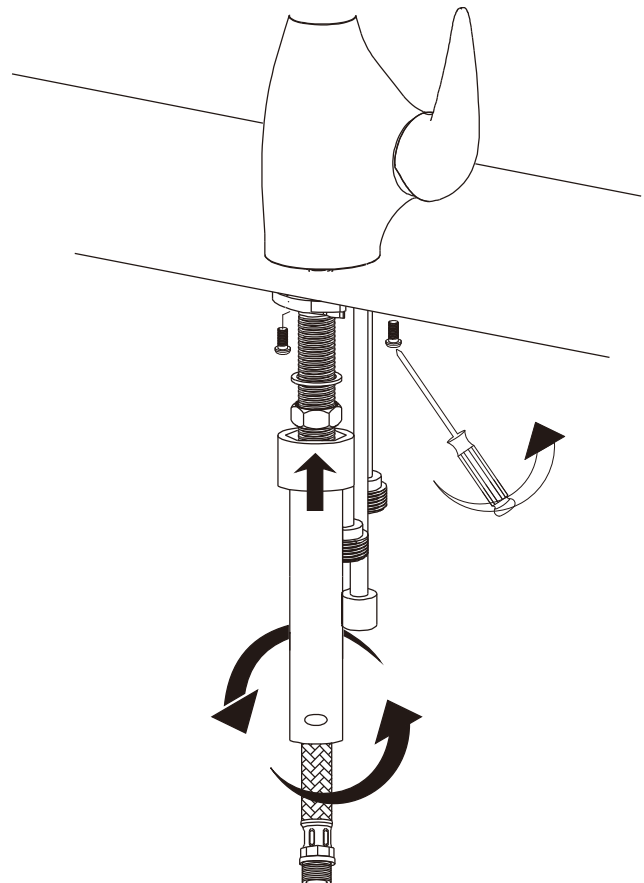
## Step ①



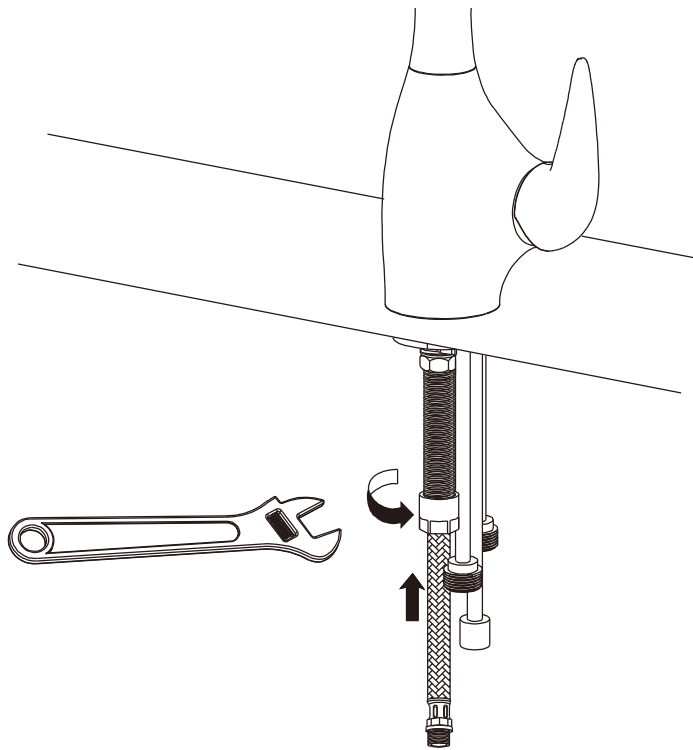
## Step ②



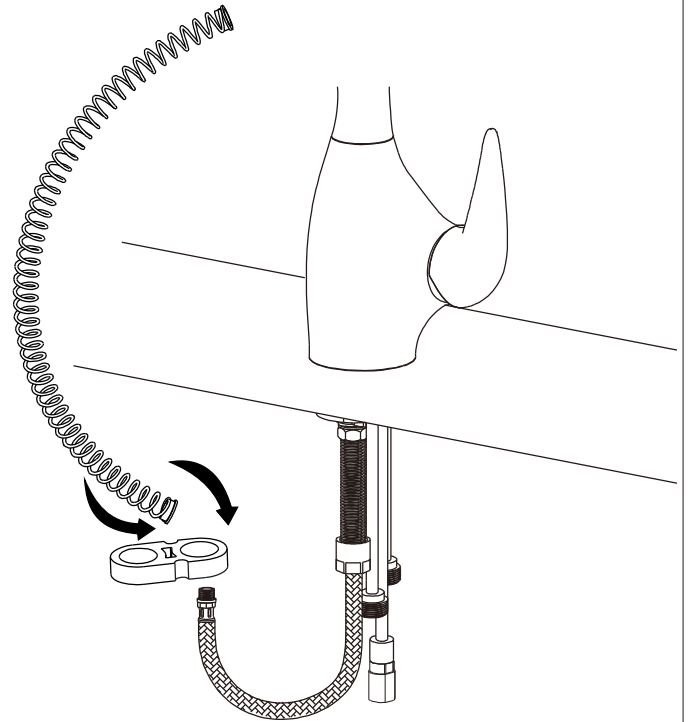
## Step ③



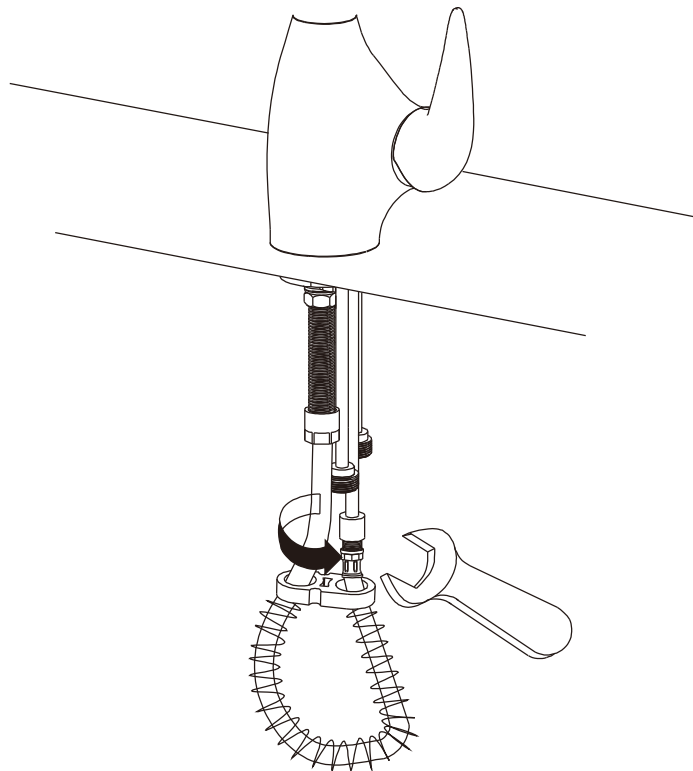
Step ④



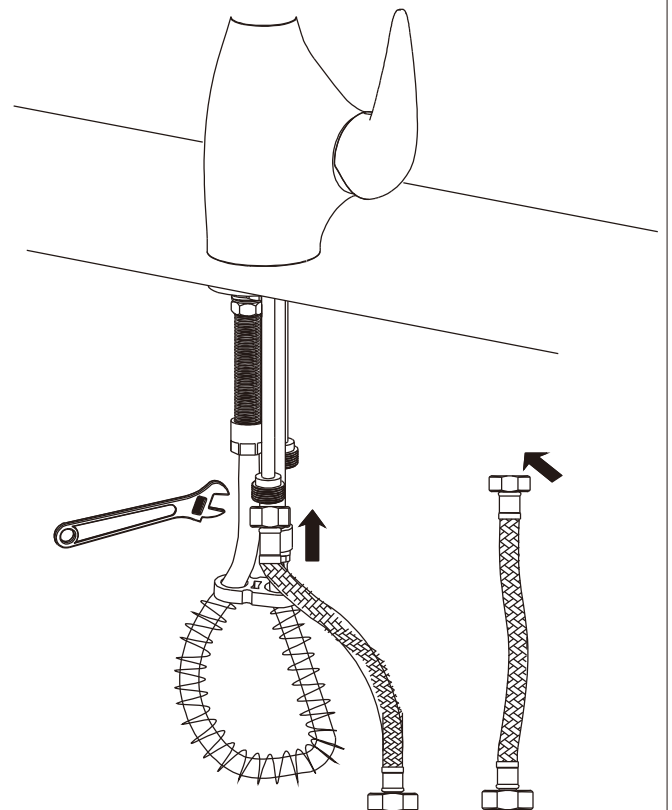
Step ⑤



Step ⑥



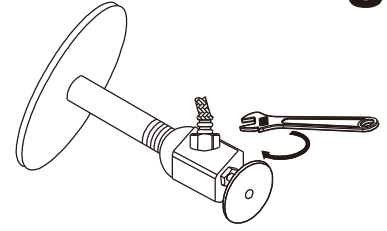
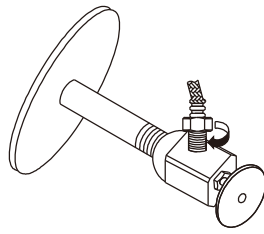
Step ⑦



Step ⑧

# Caution!!

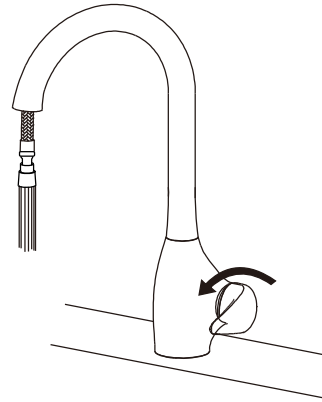
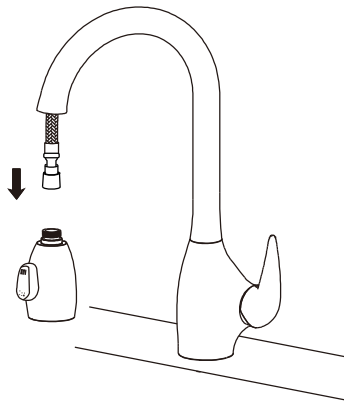
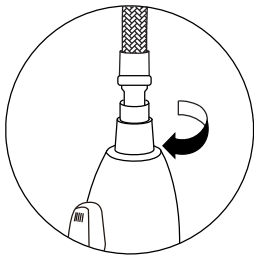
Flush construction debris out of water valves and pipes **BEFORE** connecting water lines.



Step ⑨

# Caution!!

Do not lose hose washer!  
Remove head and final flush cartridge,  
faucet body and hose.



Step ⑩

