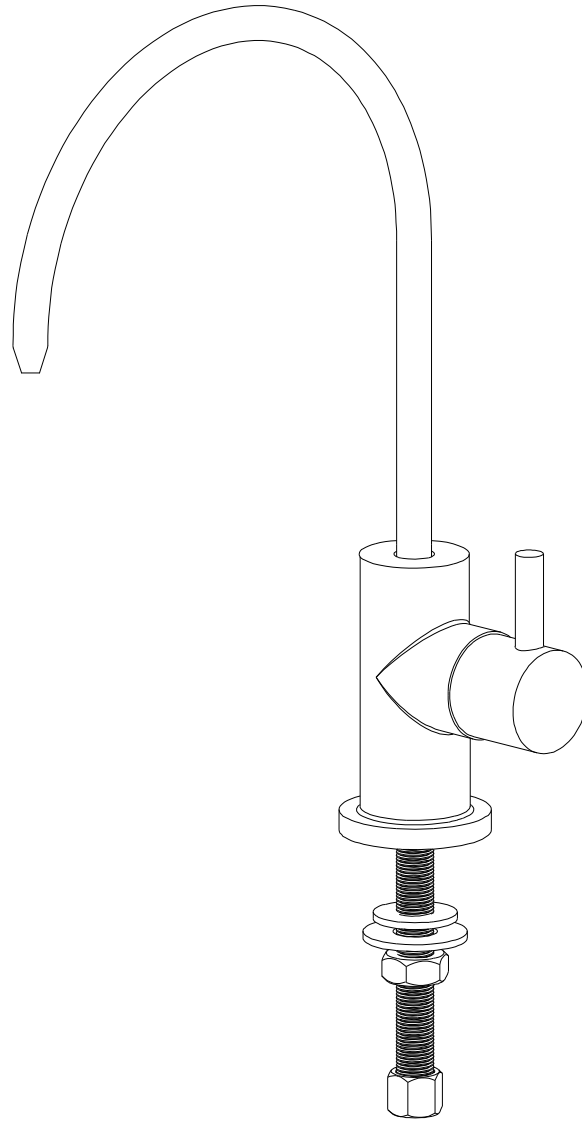




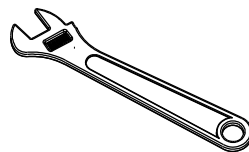
# Installation Instruction

## Filter Faucet



Model No.: RO-101

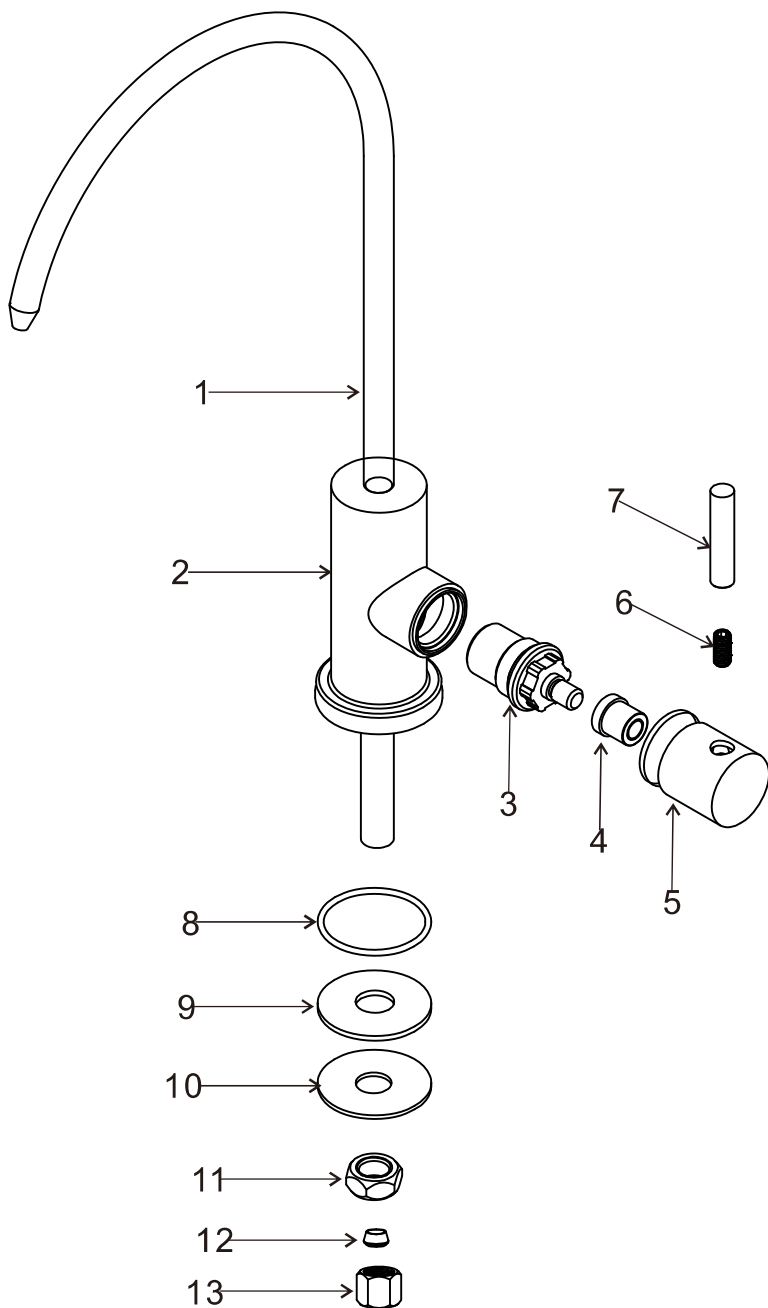
### Tools You Will Need



Adjustable wrench

# Replacement Parts

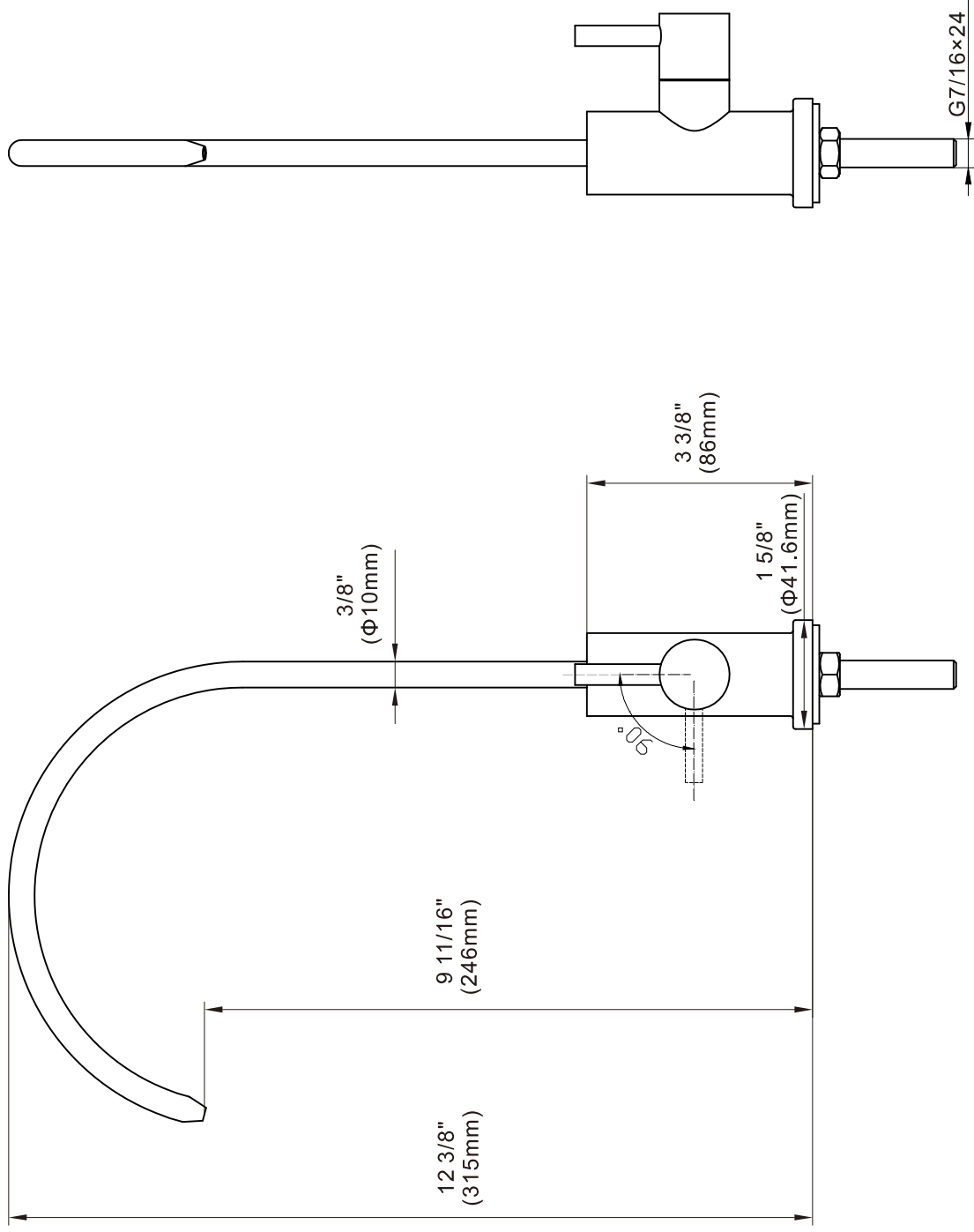
Keep this manual for ordering replacement parts.



1. Neck
2. Faucet Body
3. Cartridge
4. Handle Spacer
5. Handle Body
6. Set Screw
7. Handle
8. Base O-Ring
9. Rubber Washer
10. Mounting Washer
11. Mounting Nut
12. Compression Ring
13. Compression Nut

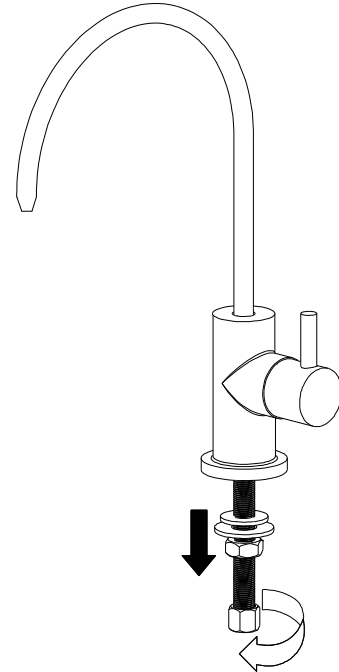
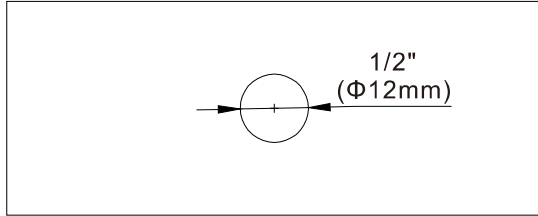
RO – 101 Vatura  
Solid Stainless Steel Filter R.O. Faucet

# Product Dimension Drawing

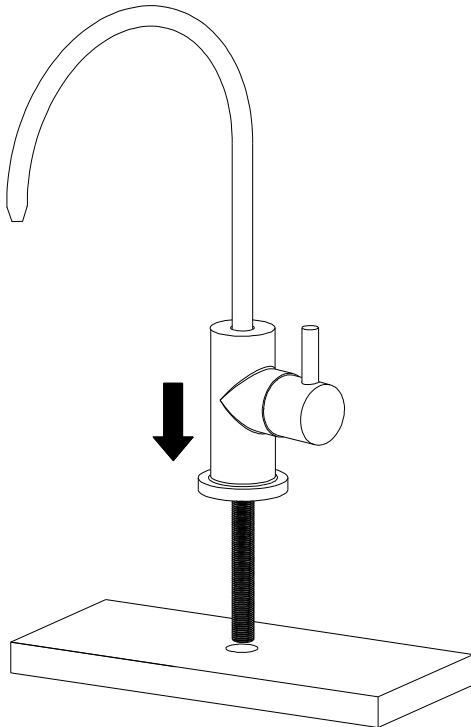


# Faucet Installation Procedures

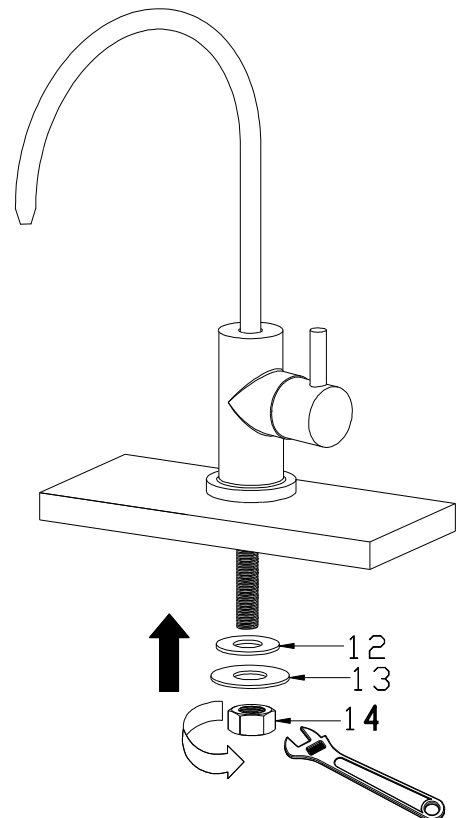
Step ①



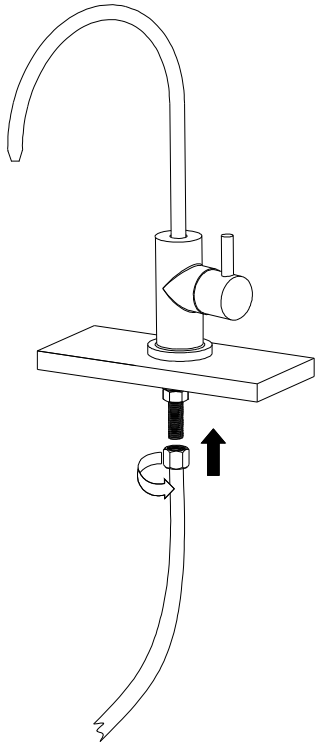
Step ②



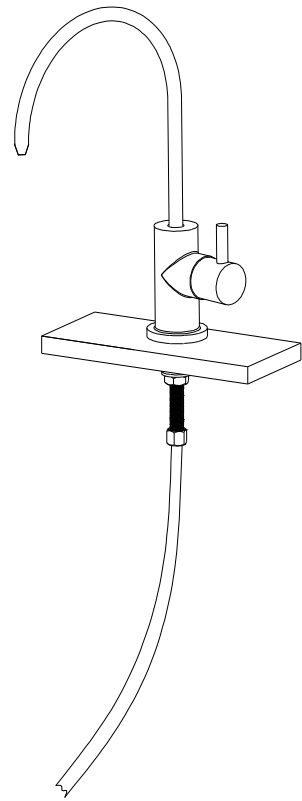
Step ③



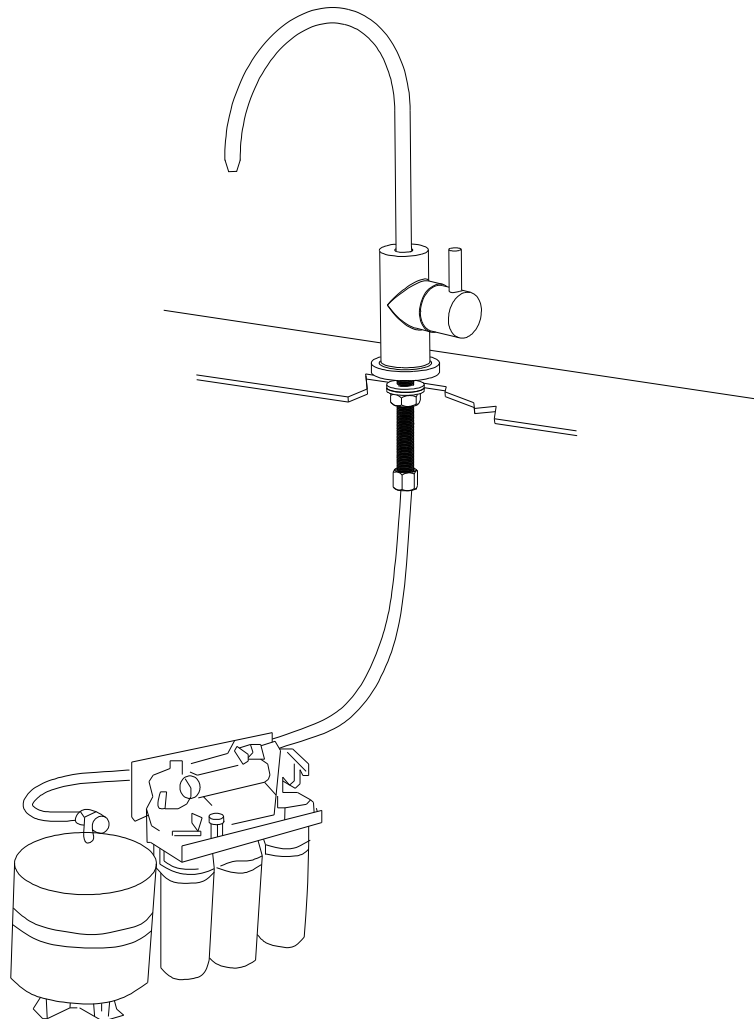
Step ④



Step ⑤



Step ⑥



Step ⑦

